

# EXHAUST SYSTEM COMPONENTS



Part Number	Diameter	Length	Clearance
ZAP300	3"	9-1/2"	6"
ZAP351212	3-1/2"	12"	5"
ZAP400	4"	13"	8"
ZAP508	5"	13-1/2"	8"



Part Number	Diameter	Length	Clearance
ZA300	3"	9-1/2"	6"
ZA351212	3-1/2"	12"	5"
ZA41212A (Aluminium)	4"	12"	6"
ZA508	5"	13-1/2"	8"
ZA52020	5"	20"	8"



Part Number	Diameter	Length	Radius
ZSL390SR	3"	3"	3"
ZSL3590SR	3-1/2"	6-1/2"	3-1/2"
ZSL490SR	4"	6"	4"
ZSL590SR	5"	8"	5-1/2"



45° EXHAUST ELBOW (PLAIN END) Mild Steel			
Part Number	Dia.	Length	Clearance
ZBP3545L	3-1/2"	9-1/4"	7"
ZBP445	4"	6"	8"
ZBP5458	5"	6-5/16"	8"



45° EXHAUST ELBOW (SLOTTED END) Mild Steel			
Part Number	Diameter	Length	Clearance
ZB345	3"	6"	6"
ZB3545	3-1/2"	6"	7"
ZB445L	4"	9"	6"
ZB5458L	5"	9"	8"



Part Number	Dia.	MUFFLER HANGERS
ZA1300	3"	Made from 1/8" strip steel with a loop to fit the muffler body. Comes complete with bolts for muffler assembly and pre-punched holes provided for attachment to truck frame.
ZA1400	4"	
ZA1500	5"	
ZA1900	9"	

# EXHAUST SYSTEM COMPONENTS



EXHAUST REDUCER			
Part Number	I.D Diameter	O.D Diameter	Length
ZBJ340	3"	4"	6"
ZBJ354	3-1/2"	4"	6"
ZBJ450	4"	5"	8"



EXHAUST REDUCER			
Part Number	I.D Diameter	O.D Diameter	Length
ZBA430	4"	3"	6"
ZBA435	4"	3-1/2"	6"
ZBA540	5"	4"	8"



EXHAUST COUPLER		
Part Number	I.D Diameter	Length
ZAC304	3"	4-3/8"
ZAC354	3-1/2"	4-3/8"
ZAC404	4"	4-3/8"
ZAC504	5"	4-3/8"



EXHAUST 22° LIPPED FLANGE		
Part Number	Size O.D/ I.D	Length
ZHH353X	3-1/2"	3"
ZHH404X	4"	4"
ZHH505X	5"	5"



EASYSEAL FLATBAND CLAMPS		
Part Number	Dia.	
ZES300	3"	<ul style="list-style-type: none"> <li>Seals exhaust system connection</li> <li>Conforms to shape of pipe or flex</li> <li>Prevents pipe distortion</li> <li>No welding</li> </ul> Stainless Steel
ZES1350	3-1/2"	
ZES400	4"	
ZES500	5"	
Z66-600	6"	



TorcTite HEAVY DUTY CLAMPS		
Part Number	Dia.	
Z7001133SS	3"	TorcTite Pre-Formed Clamps  Reduces need for welding  Stainless Steel
Z7001134SS	3-1/2"	
Z7001135SS	4"	
Z7001136SS	5"	
Z7001137SS	6"	

# EXHAUST SYSTEM COMPONENTS



Part Number	Pipe Size	GUILLOTINE CLAMPS
Z89545K Z89547K Z89548K Z89549K	3" 3-1/2" 4" 5"	Strong welded side construction. Rolled 3/8" threads for extra long life, strength and ease of installation. <b>Zinc Plated</b>



Part Number	Pipe Size	GUILLOTINE CLAMPS
Z83AX462 Z25091425	4" 5"	Forms 360° seal <b>Zinc Plated</b>



Part Number	Dia.	HEAVY DUTY FLAT BAND CLAMP
Z89558K Z89559K	4" 5"	<b>Double Saddle</b> Accurate rugged 5/16" oversized hole for easier installation with exhaust elbows, exhaust couplers (both straight and flexible) exhaust tubing. Strong welded side construction. Rolled 3/8" threads for extra long life, strength and ease of installation. <b>Zinc Plated</b>



STRAIGHT EXHAUST TUBE (Mild Steel)	
<p><i>Mild Steel Exhaust Tubing</i>                      Available cut to your requirements                      from your                      Truck Stops Branch                      (Sold by the centimetre)</p>	



**STAINLESS STEEL  
EXHAUST FLEX**

Tube Size	3 Metre	1 Metre	24" (610mm)	18" (457mm)
3"	ZFMDSS076	Z7002019	Z7001248	Z7001246
3-1/2"	ZFMDSS089		Z7001509	Z7001507
4"	ZFMDSS102	Z7002016	Z7001325	Z7001319
5"	ZFMDSS127-3M	Z7002017	Z7001324	Z7001318
<b>AVAILABLE FROM PDC IN THE ABOVE LENGTHS ONLY</b>				

# EXHAUST SYSTEM COMPONENTS

## Chrome Exhaust Stacks

ZMS..... Mitre Cut Stack  
 ZCS..... Curved Stack  
 ZSS..... Straight Stack

EN..... Expanded / Notched  
 PE..... Plain Ended  
 CP..... Chrome Plated

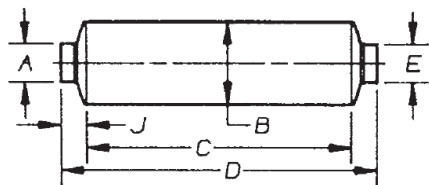
Example Number **CS** **5** **60** **PE** **CP**  
 Curved Stack 5" 60" Plain End Chrome Plated

## Chrome Exhaust Rain Caps



Z7001184CP 4"  
 Z7001185CP 5"

## Mufflers – 3-1/2" – 4" – 5"

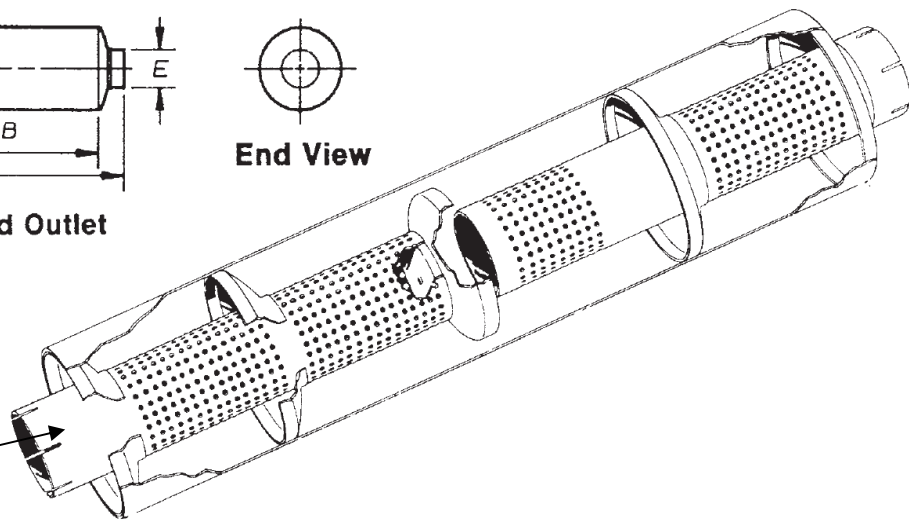


End Inlet/End Outlet  
 On Center



End View

INLET Stamped into  
 Tube



PART NUMBER	"A" INLET I.D	"B" BODY DIA	"C" BODY LENGTH	"D" OVERALL LENGTH	"E" OUTLET I.D	"F" TUBE LENGTH
Z7001370	3-1/2"	9"	44.5"	51"	3-1/2"	3"
Z2ME336B	4"	8.5"	34.5"	40"	4"	3"
Z7001372	5"	9"	44.5"	51"	5"	3"
Z7001374	5"	10"	44.5"	51"	5"	3"
Z7001383	5"	7"	44.5"		5"	