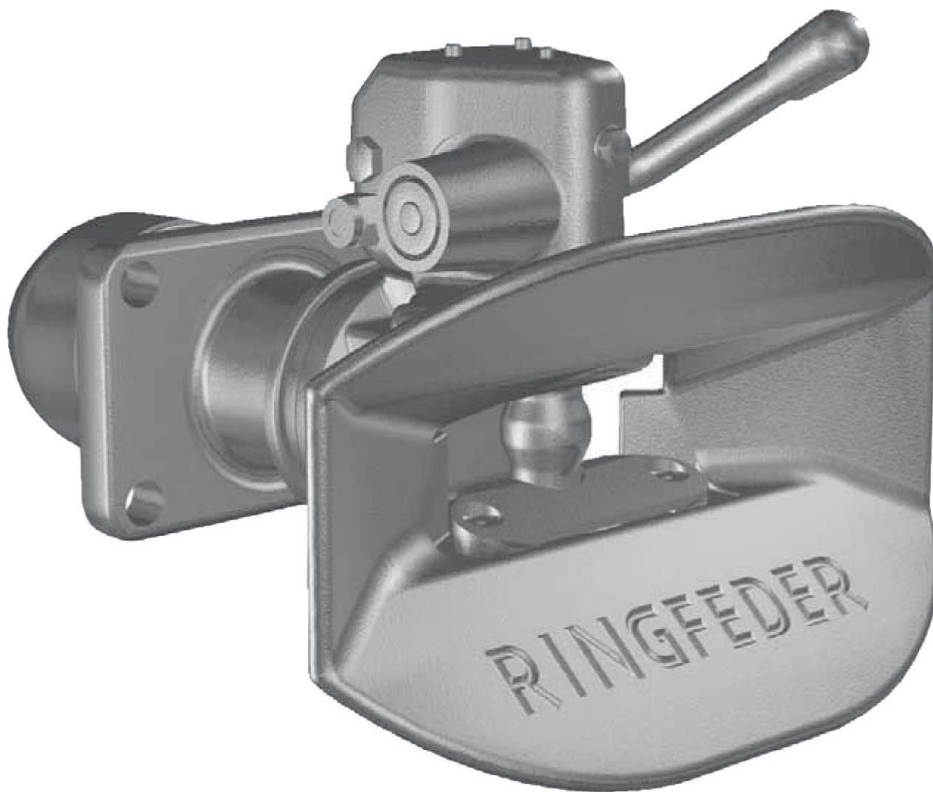


RINGFEDER

Trailer Couplings

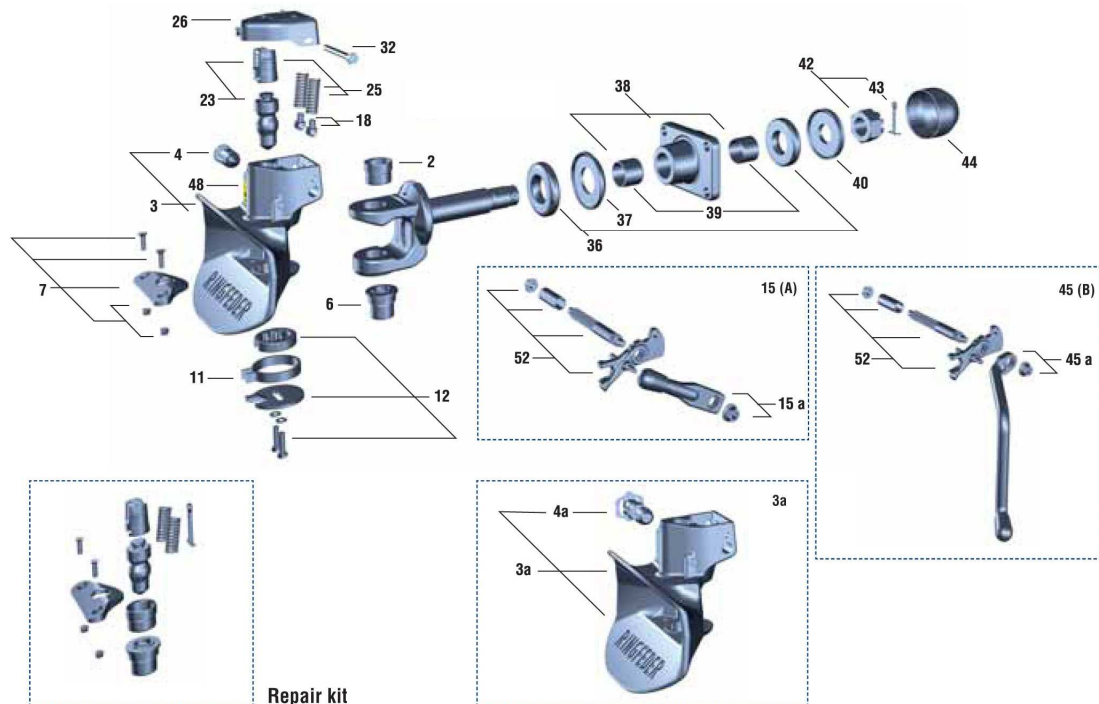


Z4040G150B

40mm Automatic Trailer Coupling D-Value: 137kn
Includes manual secondary lock and short handle & safety indicator

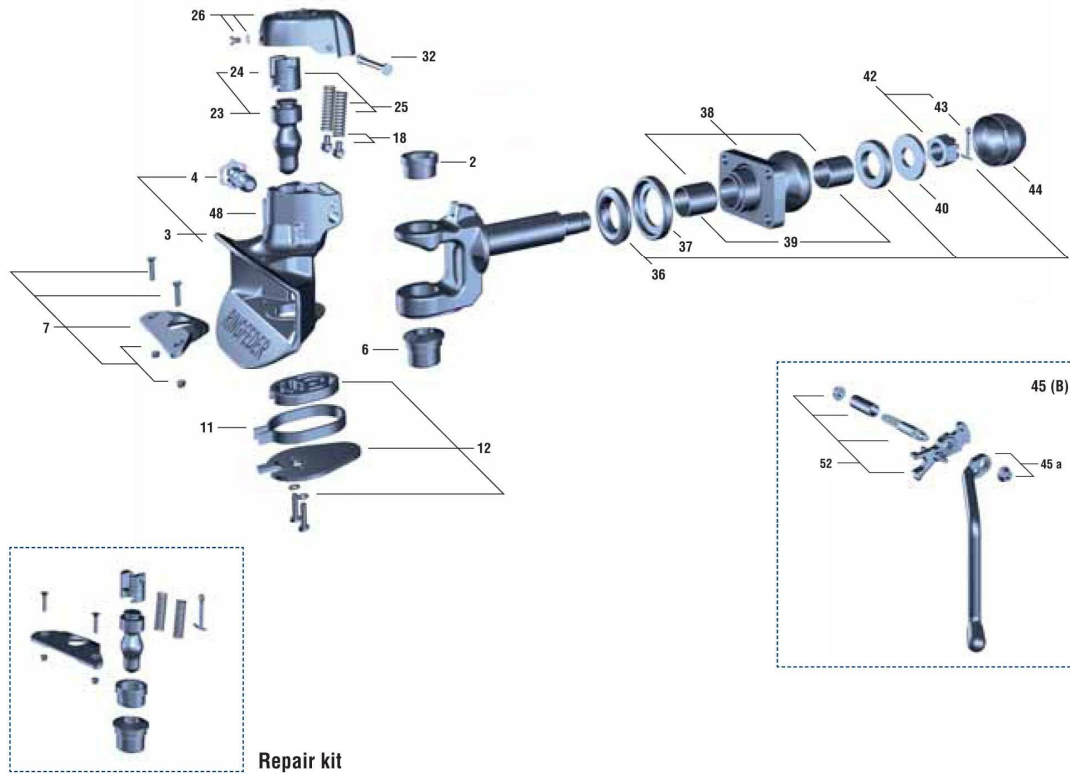
Z5050BNZ

50mm Manual Trailer Coupling D-Value: 200kn
Includes safety indicator



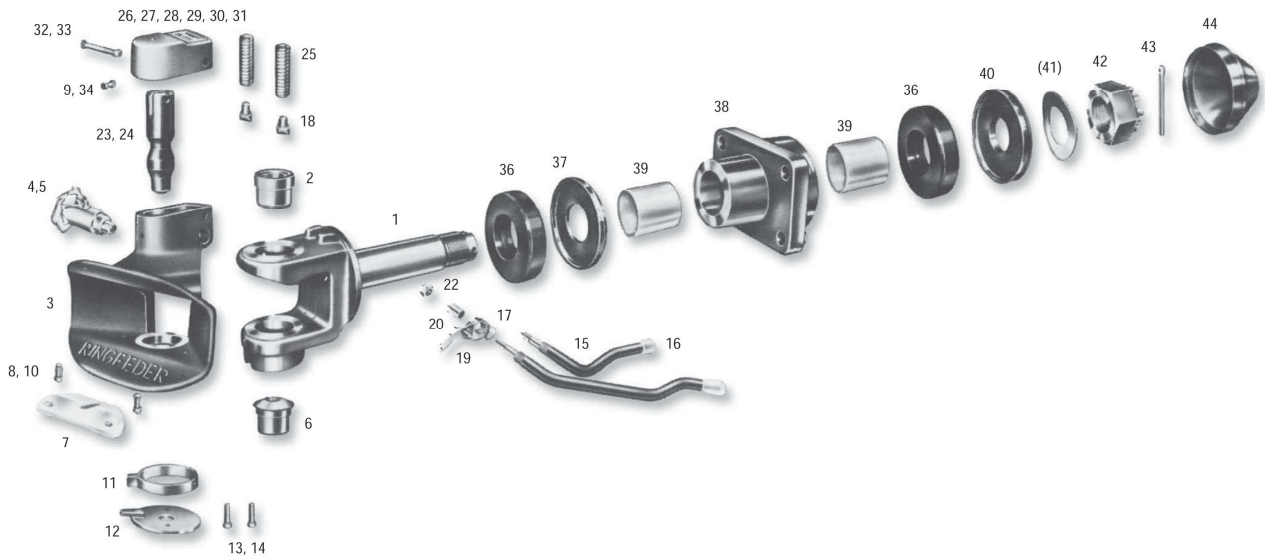
Item	Part Number	Description
1	Z4040G150B	Ringfeder Assy
2	Z14991240	Top Guide Bush
3	14991248	Coupling Bolt,with Safety Device Design A
3A	14991720	Coupling Bolt,with Manual Safety Device. Design B
4	Z14994478	Safety Device, Design A
4A	Z14991073	Manual Safety Device,
6	Z14991256	Bottom Guide Bush
7	ZHB6998771	Wear Plate (Plastic)
7A	14994503	Wear Plate (cast iron)
11	Z7995563	Return Spring
12	14991284	Tab Washer Complete
15	14991272	Hand Lever Assy,Locking Design A
15A	14991312	Hand Lever Design A
18	Z7998341	Spring Arm
23	Z14991280	Coupling Bolt,c/w Springs

Item	Part Number	Description
25	14991241	Locking Spring 72mm long (2pcs)
26	14991288	End Cap
32	14991359	Hex Screw M10x115mm 10.9
36	Z14991672	Rubber Spring
37	17995520	Thrust Washer
38	14991296	Bar Guide
39	Z14991304	Bearing Bush
40	Z7995555	Tension Washer
42	6997732	Nut,Castellated
43	Z12991533	Cotter Pin
44	Z10991323	Protecting Cap
45	14991368	Hand Lever Assy,Locking Design B
45A	Z14997190	Manual Safety Device, Design B
48	09122900	Pug, Sensor Hole
52	Z14991320	Axles with Locking Lever
	Z14991328	Repair Kit



Item	Part Number	Description
1	Z5050BNZ	Ringfeder Assy
2	Z14991384	Top Guide Bush
3	14991760	Coupling Body
4	Z14991073	Manual Safety Device
6	Z14991407	Bottom Guide Bush
7	Z6998321	Special Plastic Plate
7a	Z9996770	Wearing Plate (Cast Iron)
11	Z7995610	Return Spring
12	Z14991399	Tab Washer
18	Z7998341	Spring Arm
23	Z14991375	Coupling Bolt
25	Z14991273	Locking Spring
26	Z14991367	End Cap
32	Z14991359	Hex Screw M10 x 115 10.9

Item	Part Number	Description
36	Z14994568	Rubber Spring
37	Z14994472	Thrust Washer
38	Z14994463	Bar Guide
39	Z14994876	Bearing Bush
40	Z14994496	Tension Washer
42	Z6997732	Castellated Nut M45 x 3
43	Z12991533	Cotter Pin 8 X 80
44	Z14994455	Protecting Cap
45	Z14991262	Hand/Locking Lever Combination Design B
45a	Z14991376	Hand Lever Design B
48	Z9122900	Plug for Sensor Hole (10 pieces)
52	Z14991383	Axle with Locking Lever
	Z14991632	Repair Kit, (Items: 2,6,7,23,43)



Item	Part Number	Description
	80G5	Ringfeder Assy
1	2993279	Drawbar (incl. items: 2,41,42,43)
2	Z7998210	Top Guide Bush
3	Z6990479	Coupling Body (incl. items: 4,5)
4	Z6997805	Safety Device, (incl. item 5)
5	76872	Tapered Grease Nipple
6	Z7998252	Bottom Guide Bush
7	ZHB6998321 9996770	Wear Plate, Plastic Wear Plate, Cast Iron (incl. 8 & 10)
8	Z208086	Screw, Countersunk
11	7995601	Return Spring
12	7995598	Tab Washer
13	Z6997856	Washer
15	Z6990452	Hand Lever (incl. items: 16,19,20,22) (A)
17	10991930	Bolt, Spring Arm
18	Z7998341	Spring Arm
19	Z12991380	Locking Lever

Item	Part Number	Description
20	Z12998961	Distance Bush
23	ZHB6990460	Coupling Bolt (Incl. items 24 & 2 x # 25)
24	Z12991460	Locking Lever Pin
25	Z7998171	Locking Spring
26	Z6991645	End Cap (incl. items 28,29 2 x # 27)
32	6991670	Cap Screw (incl. item 33)
36	Z7998317	Rubber Spring
37	Z7995520	Thrust Washer
38	990558	Bar Guide (inc. 2 x # 39)
39	Z10996732	Bearing Bush
40	Z7995555	Tension Washer
41	Z10996686	Spring Washer
42	6997732	Castellated Nut
43	Z12991533	Cotter Pin
44	10991463	Protecting Cap
45	6997661	Hand Lever (incl. items: 16,19,20,22) (B)
	Z6990460KIT	Coupling Bolt Kit (incl. items: 2,6,7,23)