

AUTO-COOP

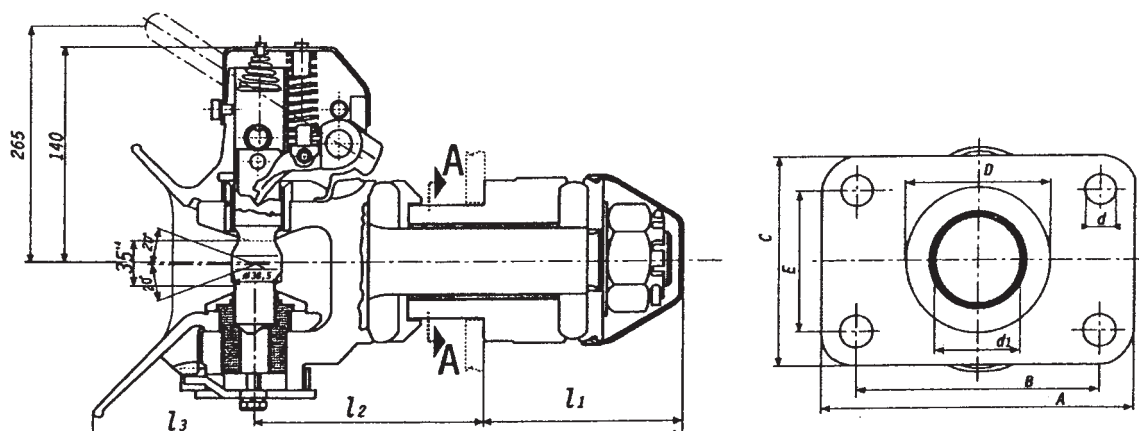
Automatic Trailer Couplings



50mm
Z-ACC50-7

40mm
Z-AC150G150

TECHNICAL DATA & DIMENSIONS



Automatic Trailer Coupling Type	Hole Pattern B x E	Size of Plate A x C	D-Value KN	M Nm	Dimensions					
					D	d	d1	l1	l2	l3
(40mm) Z-AC 150 G 150	160 x 100	200 x 140	120	400-500	94	21	50	152	172	454
(50mm) Z-AC C 50-7	160 x 100	200 x 140	190	600	94	21	62	210	175	510

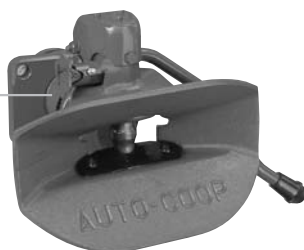
Type A = Action lever upwards
 Type B = Action lever downwards
 M = Tensile Force of Main Screw

Subject to technical changes without prior notice

Z-AC150G150

Permitted Turning Radius of Towing Eye

- Horizontal 220°
- Vertical 40°
- Axial 360°



Couplings for 40mm drawbar eyes according to DIN 74054

Z-ACC50-7

Permitted Turning Radius of Towing Eye

- Horizontal 220°
- Vertical 40°
- Axial 360°

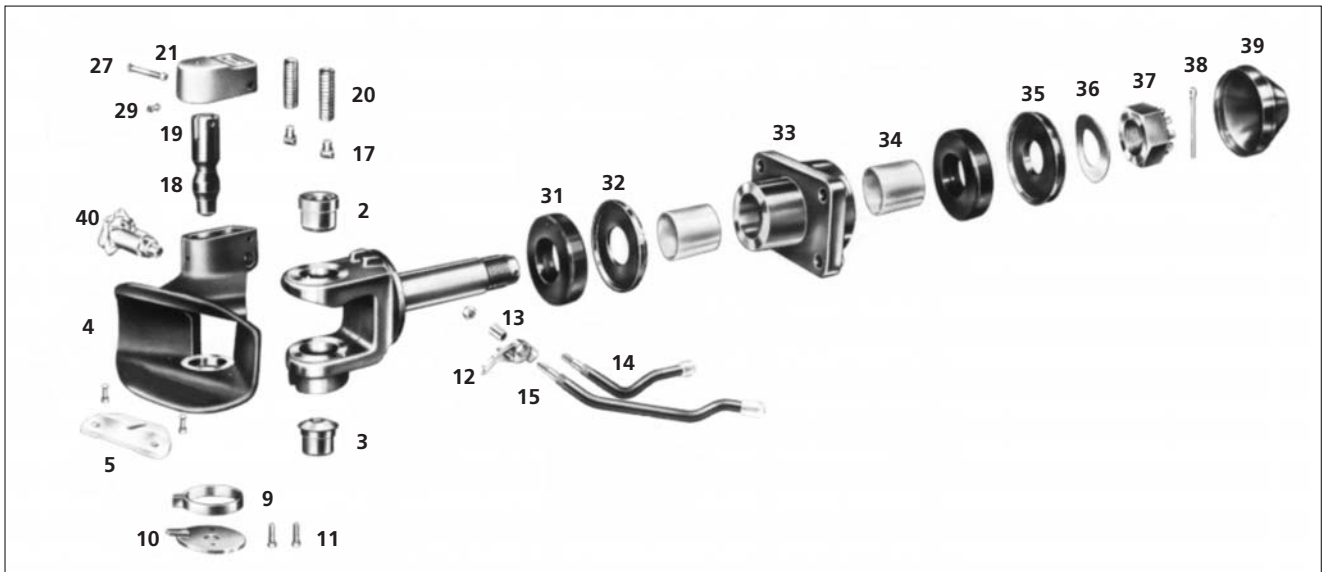


Couplings for 50mm drawbar eyes according to EG*94/20*3922*00
 ECE: E11 55R-013922

Note: All dimensions are nominal and in millimeters

Spare Parts List

FOR AUTO-COOP TRAILER COUPLINGS



ITEM	DESCRIPTION	AC150G150 (40mm)	ACC50-7 (50mm)
2	TOP GUIDE BUSH	Z-6997899	Z-7998210
3	BOTTOM GUIDE BUSH	Z-6997880	Z-7998252
4	BODY OF TOWING INCL. CAST WEAR PAD	Z-HB2991144	Z-HB6990479 Z-HB6998770
5	NYLON PAD	Z-HB6998771	Z-HB6998321
9	RESTORING SPRING	Z-7995563	Z-7995610
10	PLATE WITH CROWN	Z-HB7995571	Z-HB10990840
11	SCREW M10x45, DIN 933 INCL. POS. 10	Z-HB6997902	Z-HB6997856
12	LOCK LEVER	Z-12991398	Z-12991380
13	DISTANCE BUSH	Z-12998961	Z-12998961
14	HANDLE, INCL. POS. 12, 13	Z-6997872	Z-6990452
15	HANDLE, INCL. POS. 12, 13	Z-6997864	Z-6991661
17	SPRING SUPPORTER	Z-7998341	Z-7998341
18	BOLT-PIN	Z-HB12991452	Z-12991460
18	TOWING BOLT INCL. 2 x ITEM 20	Z-6997910	
19	COUPLING PIN LESS SPRINGS	Z-HB6997910	Z-HB6990460
20	HELICAL SPRING	Z-7998171	Z-7998171
21	CAP OF CASING INCL. POS. 24, 25, 26	Z-HB6998755	Z-HB6998645
27	SCREW M10x90, DIN 931 INCL. POS. 28	Z-HB6998739	Z-HB6991670
29	SCREW M8x12, DIN 933 INCL. POS. 7	Z-HB6998690	Z-HB6991653
31	RUBBER SHOCK ABSORBER	Z-7998317	Z-HB72006020
32	SUPPORTING PLATE	Z-7995520	Z-HB72006040
33	BASICAL LEADING PLATE INCL. POS. 34	Z-990540	Z-HB5999154
34	BEARING BUSH	Z-10996732	Z-HB72006060
35	TOWING PLATE	Z-7995555	Z-HB72000140
36	SPRING WASHER	Z-10996686	Z-HB72000330
37	TIE-ROD NUT M 56x2, DIN 935 INCL. POS. 38	Z-HB6997732	Z-HB72000290
38	SPLIT PIN 8x100, DIN 94	Z-12991533	Z-12991541
39	DUST-PROTECTION HOOD	Z-HB10991463	Z-10991323
40	SAFETY CATCH	Z-6997805	Z-6997805