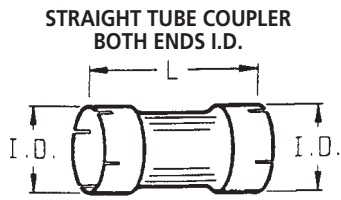


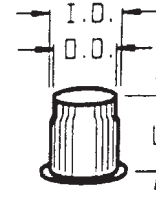
EXHAUST SYSTEM COMPONENTS

COUPLER



| PLAIN STEEL PART No. | I.D. DIAMETER | LENGTH |
|-------------------------|---------------------------------|---------------------------------|
| Z-AC304 | 3" | 4 ³ / ₈ " |
| Z-AC354 | 3 ¹ / ₂ " | 4 ³ / ₈ " |
| Z-AC404 | 4" | 4 ³ / ₈ " |
| Z-AC504 | 5" | 4 ³ / ₈ " |

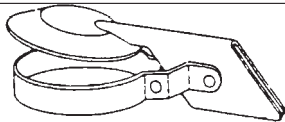
22° LIPPED FLANGE



| PART No. | SIZE O.D./I.D. | LENGTH |
|----------|--------------------------------------|--------|
| Z-HH353X | 3 ¹ / ₂ " Both | 3.0" |
| Z-HH404X | 4" Both | 4.0" |
| Z-HH505X | 5" Both | 5.0" |

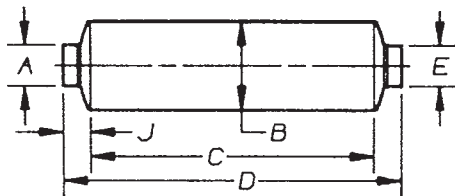
RAIN CAPS

HEAVY DUTY AUTOMATIC EXHAUST PROTECTION

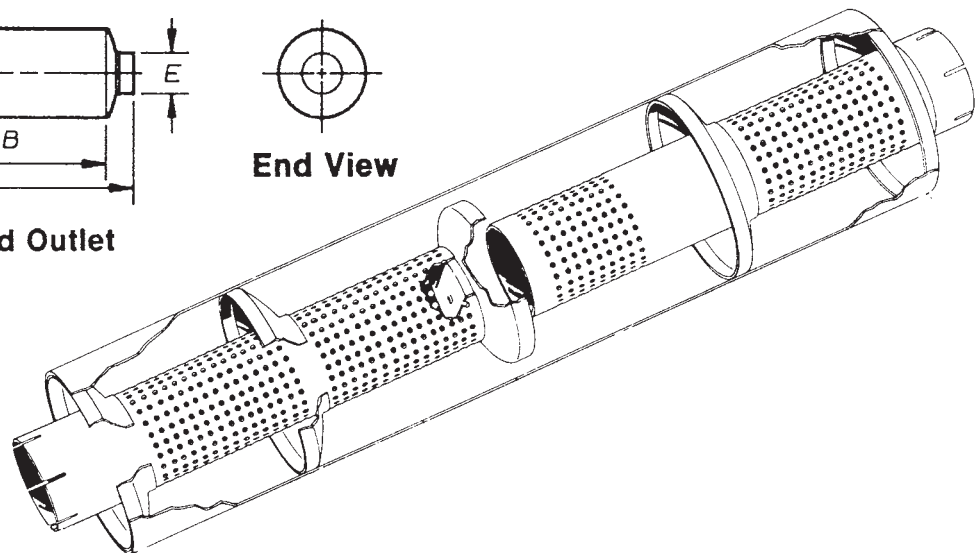


| CHROME PLATED PART No. | PIPE SIZE O.D. |
|---------------------------|----------------|
| Z-7001184CP | 4" |
| Z-7001185CP | 5" |

MUFFLERS - 3" - 4" - 5"



End Inlet/End Outlet
On Center



| PLAIN STEEL PART No. | "A" INLET I.D. | "B" BODY DIA. | "C" BODY LGTH | "D" OVERALL LGTH | "E" OUTLET I.D. | "J" TUBE LGTH |
|-------------------------|---------------------------------|------------------|------------------|---------------------|---------------------------------|------------------|
| Z-86187M | 3" | 6" | 21" | 30" | 3" | 4" |
| Z-M080018 | 3" | 8" | 12.18" | 17" | 3" | 1.38" |
| Z-86113M | 3 ¹ / ₂ " | 9" | 44.5" | 51" | 3 ¹ / ₂ " | 3" |
| Z-2ME336B | 4" | 8.5" | 34.5" | 40" | 4" | 3" |
| Z-86739M | 5" | 9" | 44.5" | 51" | 5" | 3" |
| Z-86682M | 5" | 10" | 44.5" | 51" | 5" | 3" |