

EXHAUST COMPONENTS

| | |
|-------------------------------|---|
| • Bends - Elbows | 1 |
| • Stacks | 3 |
| • Clamps | 4 |
| • Couplers | 5 |
| • Rain Caps | 5 |
| • Mufflers | 5 |
| • Flexi Tube | 6 |
| • Hangers | 6 |
| • Straight Exhaust Tube | 6 |

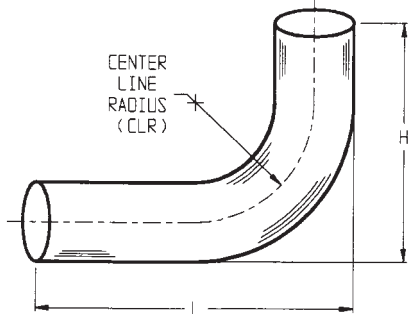
**S
E
C
T
I
O
N**

B

EXHAUST SYSTEM COMPONENTS

ELBOWS

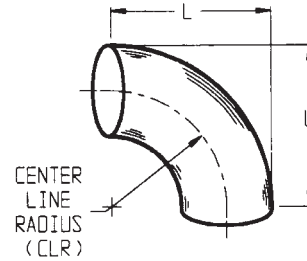
90° ELBOW
3" TO 5" O.D. BOTH ENDS
16 GAUGE MATERIAL



| PLAIN STEEL PART No. | DIAMETER | L | H | CLR |
|----------------------|----------|------|------|-----|
| Z-AP300 | 3" | 9½" | 9½" | 6" |
| Z-AP351212 | 3½" | 12" | 12" | 5" |
| Z-AP400 | 4" | 13" | 13" | 8" |
| Z-AP508 | 5" | 13½" | 13½" | 8" |

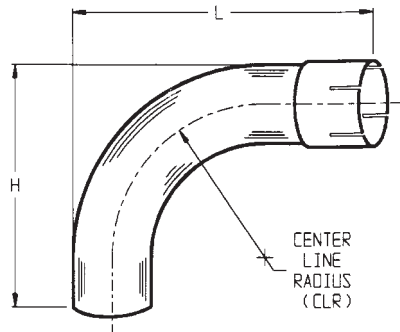
SHORT RADIUS 90° ELBOW
O.D. BOTH ENDS

Designed for welding, where real tight bends are required. Available in 3 popular sizes. Inlet and outlet are O.D. 16 GA. 5" are 14 GA.



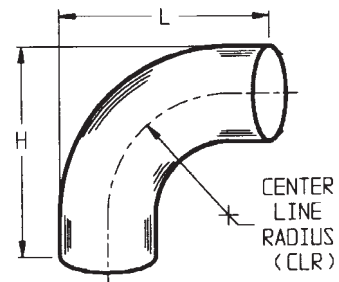
| PLAIN STEEL PART No. | DIAMETER | L | CLR |
|----------------------|----------|-----|-----|
| Z-C300 | 3" | 4½" | 3" |
| Z-C350 | 3½" | 5½" | 3½" |
| Z-C400 | 4" | 6" | 4" |
| Z-C500 | 5" | 7½" | 5½" |

90° ELBOW
3" TO 5" ONE END O.D. - ONE END I.D.
16 GAUGE MATERIAL



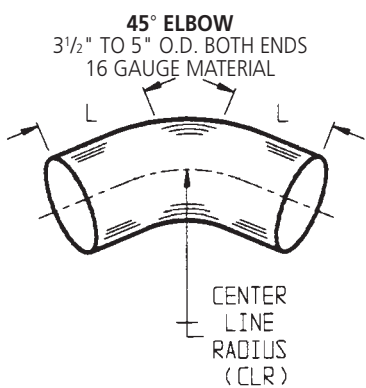
| PART No. | DIAMETER | L | H | CLR |
|-------------------------|----------|------|------|-----|
| Z-A300 Steel | 3" | 9½" | 9½" | 6" |
| Z-A351212 | 3½" | 12" | 12" | 5" |
| Z-A41212A Aluminized | 4" | 12" | 12" | 6" |
| Z-A508 Steel | 5" | 13½" | 13½" | 8" |
| Z-A52020 Steel | 5" | 20" | 20" | 8" |

SPECIAL SHORT RADIUS 90° ELBOW
INLET AND OUTLET ARE O.D.

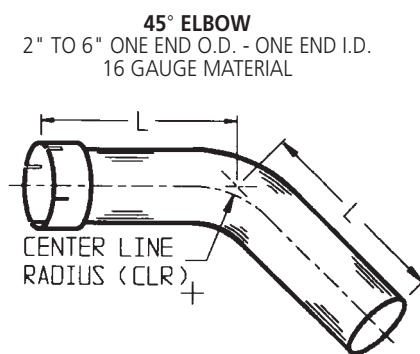


| PLAIN STEEL PART No. | DIAMETER | L | H | RADIUS |
|----------------------|----------|------|------|--------|
| Z-D302 | 3" | 6½" | 6½" | 3" |
| Z-D352 | 3½" | 7¼" | 7¼" | 3½" |
| Z-D402 | 4" | 8" | 8" | 4" |
| Z-D503 | 5" | 10½" | 10½" | 5½" |

EXHAUST SYSTEM COMPONENTS



| PLAIN STEEL PART No. | DIAMETER | L | CLR |
|----------------------|----------|---------|-----|
| Z-BP3545L | 3 1/2" | 9 1/4" | 7" |
| Z-BP445 | 4" | 6" | 8" |
| Z-BP5458 | 5" | 6 5/16" | 8" |



| PLAIN STEEL PART No. | DIAMETER | L | CLR |
|----------------------|----------|----|-----|
| Z-B345 | 3" | 6" | 6" |
| Z-B3545 | 3 1/2" | 6" | 7" |
| Z-B445L | 4" | 9" | 6" |
| Z-B5458L | 5" | 9" | 8" |

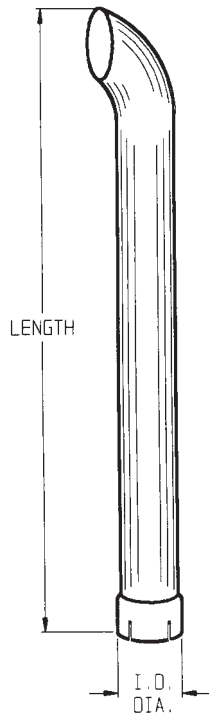
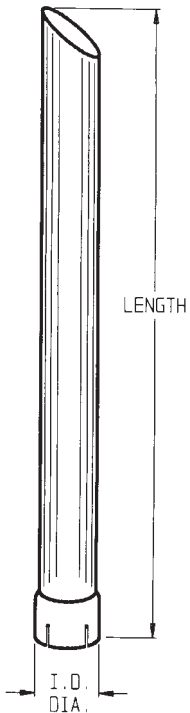
EXHAUST SYSTEM COMPONENTS

EXHAUST STACKS AND TAIL PIPES

16 GAUGE MATERIAL

MITER CUT I.D. INLET

| CHROME PLATED PART No. | DIAMETER | LENGTH |
|------------------------|----------|--------|
| Z-AA436MCK | 4" | 36" |
| Z-AA448MCK | 4" | 48" |
| Z-AA536MCK | 5" | 36" |
| Z-AA548MCK | 5" | 48" |



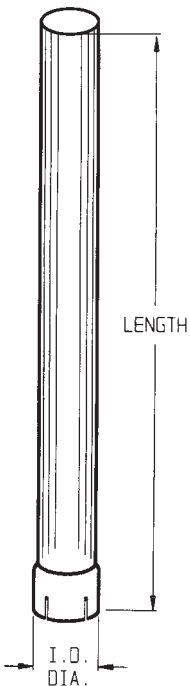
OVAL CUT O.D. INLET

| CHROME PLATED PART No. | DIAMETER | LENGTH |
|------------------------|----------|--------|
| Z-CS448PECP | 4" | 48" |
| Z-CS548PECP | 5" | 48" |



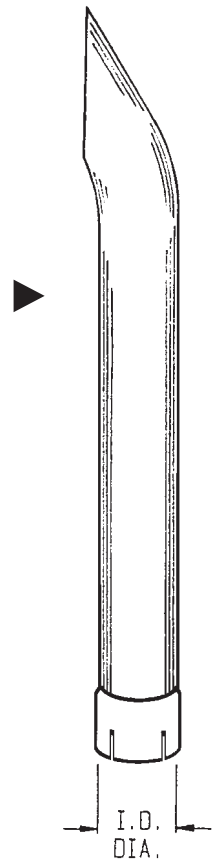
CIRCLE CUT I.D. INLET

| CHROME PLATED PART No. | DIAMETER | LENGTH |
|------------------------|----------|--------|
| Z-AB436K | 4" | 36" |
| Z-AB448K | 4" | 48" |
| Z-AB536K | 5" | 36" |
| Z-AB548K | 5" | 48" |



OVAL CUT I.D. INLET

| CHROME PLATED PART No. | DIAMETER | LENGTH |
|------------------------|----------|--------|
| Z-CS518ENCP | 5" | 18" |



SQUARE CUT I.D. INLET

| CHROME PLATED PART No. | DIAMETER | LENGTH |
|------------------------|----------|--------|
| Z-AA518K | 5" | 18" |

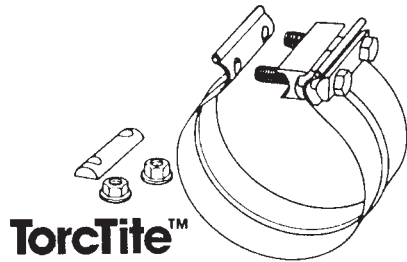
CHROME WARRANTY

All Chrome Parts Guaranteed for One Year

EXHAUST SYSTEM COMPONENTS

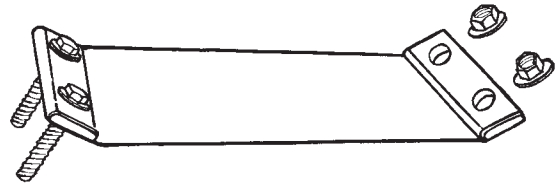
CLAMPS

HEAVY DUTY CLAMP



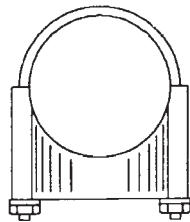
| ALUMINIZED PART No. | PIPE SIZE | PRE-FORMED CLAMPS |
|---------------------|-----------|--|
| Z-11ME229P4 | 3" | <ul style="list-style-type: none"> Minimized exhaust leaks Reduces need for welding Seals without distorting pipe |
| Z-11ME229 | 3 1/2" | LAP JOINT |
| Z-11ME229P2 | 4" | |
| Z-2681545* | 4 1/2" | |
| Z-11ME229P3 | 5" | |
| | | * Stainless Steel |

EASYSEAL FLATBAND EXHAUST CLAMP



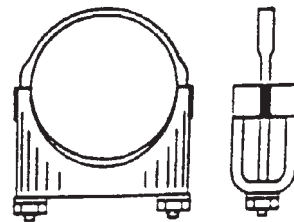
| PART No. | FITS O.D. TUBE DIA. | <ul style="list-style-type: none"> SEALS exhaust system connections CONFORMS to shape of pipe or flex PREVENTS pipe distortion INSTALLS EASILY - no disconnecting DURABLE - maintenance free NO WELDING |
|----------|---------------------|---|
| Z-F1300 | 3" | |
| Z-F1350 | 3 1/2" | |
| Z-F1400 | 4" | |
| Z-F1500 | 5" | |

GUILLOTINE CLAMP



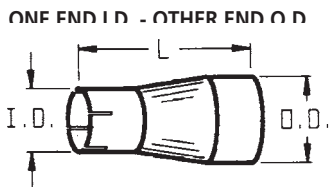
| PLAIN STEEL PART No. | PIPE SIZE | Forms 360° Seal |
|----------------------|-----------|-----------------|
| Z-89545K | 3" | |
| Z-89547K | 3 1/2" | |
| Z-89548K | 4" | |
| Z-89549K | 5" | |

HEAVY DUTY FLAT BAND CLAMP (Double Saddle)

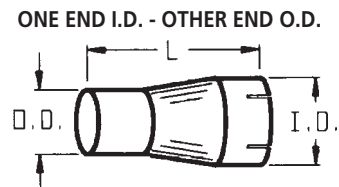


| PLAIN STEEL PART No. | SIZE | Accurate, rugged 5/16" oversized hole for easier installation with exhaust elbows, exhaust couplers (both straight and flexible) exhaust tubing. Strong welded side construction. Rolled 3/8" threads for extra long life, strength and ease of installation. |
|----------------------|------|---|
| Z-F240 | 4" | |
| Z-F250 | 5" | |

REDUCERS



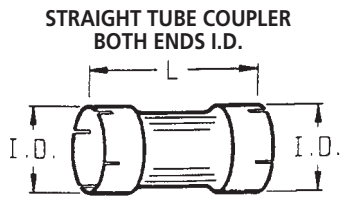
| PLAIN STEEL PART No. | I.D. DIAMETER | O.D. DIAMETER | L |
|----------------------|---------------|---------------|----|
| Z-BJ340 | 3" | 4" | 6" |
| Z-BJ354 | 3 1/2" | 4" | 6" |
| Z-BJ450 | 4" | 5" | 8" |



| PLAIN STEEL PART No. | I.D. DIAMETER | O.D. DIAMETER | L |
|----------------------|---------------|---------------|----|
| Z-BA430 | 4" | 3" | 6" |
| Z-BA435 | 4" | 3 1/2" | 6" |
| Z-BA540 | 5" | 4" | 8" |

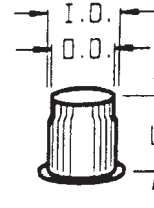
EXHAUST SYSTEM COMPONENTS

COUPLER



| PLAIN STEEL PART No. | I.D. DIAMETER | LENGTH |
|-------------------------|---------------------------------|---------------------------------|
| Z-AC304 | 3" | 4 ³ / ₈ " |
| Z-AC354 | 3 ¹ / ₂ " | 4 ³ / ₈ " |
| Z-AC404 | 4" | 4 ³ / ₈ " |
| Z-AC504 | 5" | 4 ³ / ₈ " |

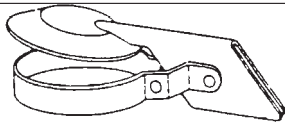
22° LIPPED FLANGE



| PART No. | SIZE O.D./I.D. | LENGTH |
|----------|--------------------------------------|--------|
| Z-HH353X | 3 ¹ / ₂ " Both | 3.0" |
| Z-HH404X | 4" Both | 4.0" |
| Z-HH505X | 5" Both | 5.0" |

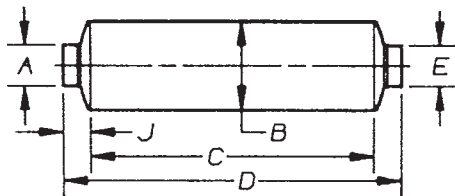
RAIN CAPS

HEAVY DUTY AUTOMATIC EXHAUST PROTECTION

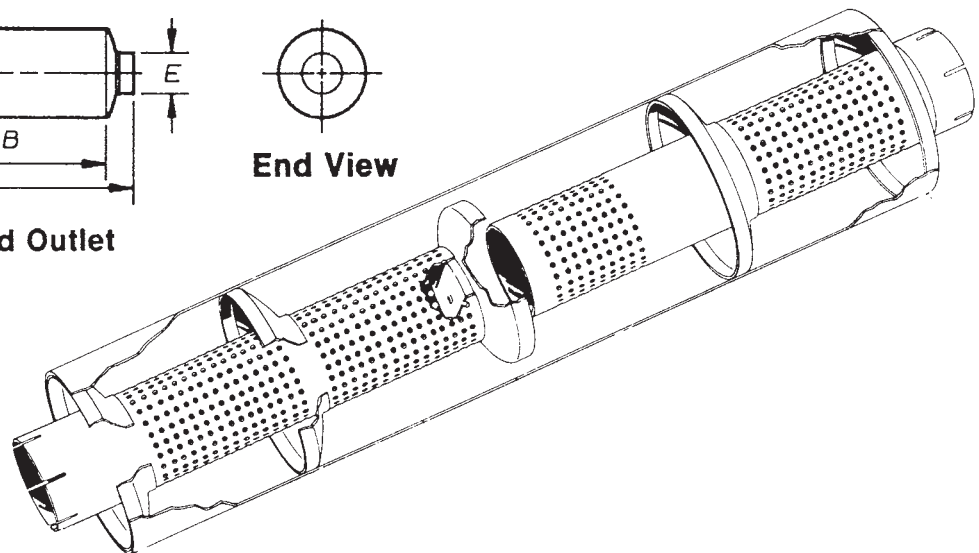


| CHROME PLATED PART No. | PIPE SIZE O.D. |
|---------------------------|----------------|
| Z-7001184CP | 4" |
| Z-7001185CP | 5" |

MUFFLERS - 3" - 4" - 5"



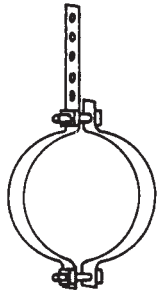
End Inlet/End Outlet
On Center



| PLAIN STEEL PART No. | "A" INLET I.D. | "B" BODY DIA. | "C" BODY LGTH | "D" OVERALL LGTH | "E" OUTLET I.D. | "J" TUBE LGTH |
|-------------------------|---------------------------------|------------------|------------------|---------------------|---------------------------------|------------------|
| Z-86187M | 3" | 6" | 21" | 30" | 3" | 4" |
| Z-M080018 | 3" | 8" | 12.18" | 17" | 3" | 1.38" |
| Z-86113M | 3 ¹ / ₂ " | 9" | 44.5" | 51" | 3 ¹ / ₂ " | 3" |
| Z-2ME336B | 4" | 8.5" | 34.5" | 40" | 4" | 3" |
| Z-86739M | 5" | 9" | 44.5" | 51" | 5" | 3" |
| Z-86682M | 5" | 10" | 44.5" | 51" | 5" | 3" |

EXHAUST SYSTEM COMPONENTS

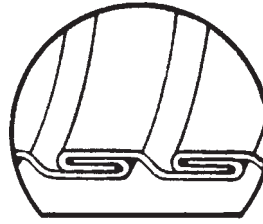
MUFFLER HANGERS



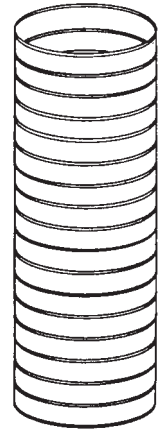
| PART No. | DIA. | |
|----------|------|---|
| Z-AI300 | 3" | Made from 1/8" strip steel with loop to fit muffler body. Comes complete with bolts for muffler assembly, and pre-punched holes provided for attachment to truck frame. |
| Z-AI400 | 4" | |
| Z-AI500 | 5" | |
| Z-AI900 | 9" | |

FLEXIBLE METAL TUBING

STAINLESS STEEL TYPE 302 - .020" WALL

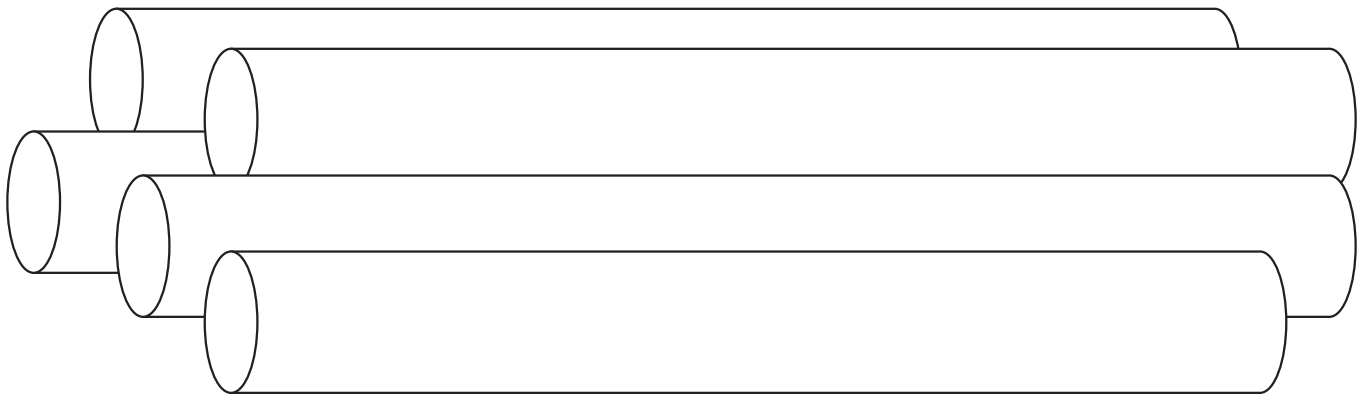


detail drawing of construction



| STAINLESS STEEL PART No. | SIZE |
|--------------------------|--------|
| Z-FMDSS076 | 3" |
| Z-FMDSS089 | 3 1/2" |
| Z-FMDSS102 | 4" |
| Z-FMDSS127 | 5" |

STRAIGHT EXHAUST TUBE



Available cut to your requirements from your Truck Stops Branch.